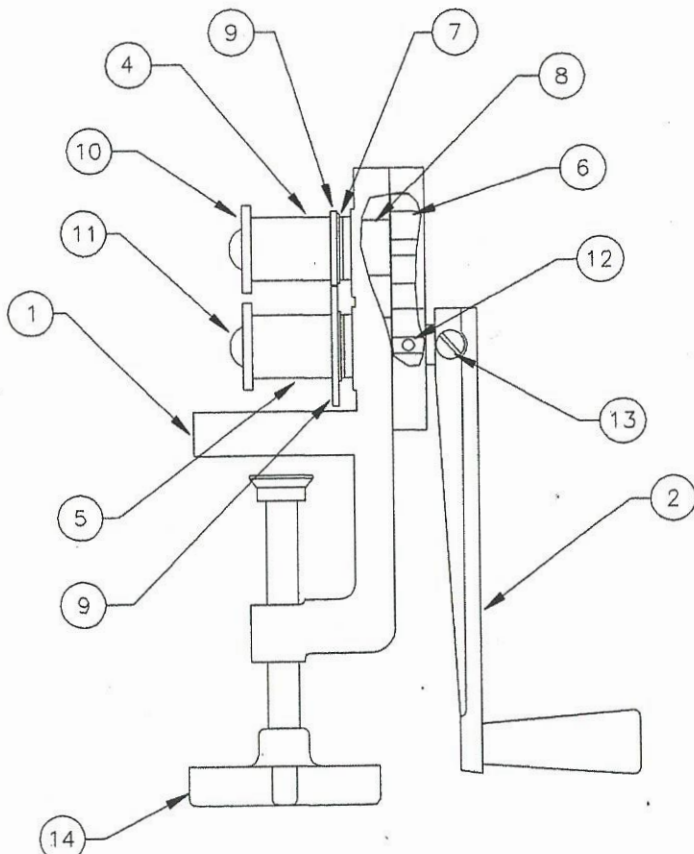


FLAT CABLE SOLUTIONS



REVISIONS				
REV	C.N. NO.	DESCRIPTION	APPROVAL	DATE

15	1	525007	COVER	AG
14	1	425018	CLAMP ASSEMBLY	AG
13	1	P0006	CRANK ARM SCREW	--
12	2	P0005	GEAR PIN	--
11	2	P0004	DISC RETAINING SCREW	--
10	2	325008	END CAP	AG
9	1	525006	SIDE GUIDE	AG
8	2	P0003	BUSHING	SYMMCO
7	2	P0002	SNAP RING	TRUARC
6	2	525005	GEAR	SAWER
5	1	525004	LOWER SHAFT	AG
4	1	525003	UPPER SHAFT	AG
3	1	P0001	HANDLE	HARRY DAVIES
2	1	525002	CRANK ARM	AG
1	1	525001	FRAME	AG

ITEM	QTY	P/N	DESCRIPTION	MAT'L.FINISH.COMMENTS
------	-----	-----	-------------	-----------------------

<p>CONFIDENTIAL INFORMATION This document is the property of AG-Devices, and will not be copied, reproduced or used as the basis for sale or manufacture of apparatus or devices without written approval.</p> <p>UNLESS OTHERWISE SPECIFIED:</p> <p>ALL DIMS. ARE IN INCHES</p>	<p>PREPARED: R. Schaefer</p>	<p>11/19/94</p>	<p>AG-Devices of COLORADO</p>		
	<p>ENGINEER: R. Schaefer</p>	<p>11/19/94</p>			
	<p>APPROVAL:</p>	<p>TITLE</p> <p>5250 ASSY.</p>		<p>SIZE</p> <p>B</p>	<p>DRAWING NO.</p> <p>525000</p>

AG Devices of Colorado, Inc. • 9595 Hwy 65 • Austin, CO 81410 USA
 phone 970-835-4800 • fax 970-835-4802
 website www.flatcablesolutions.com