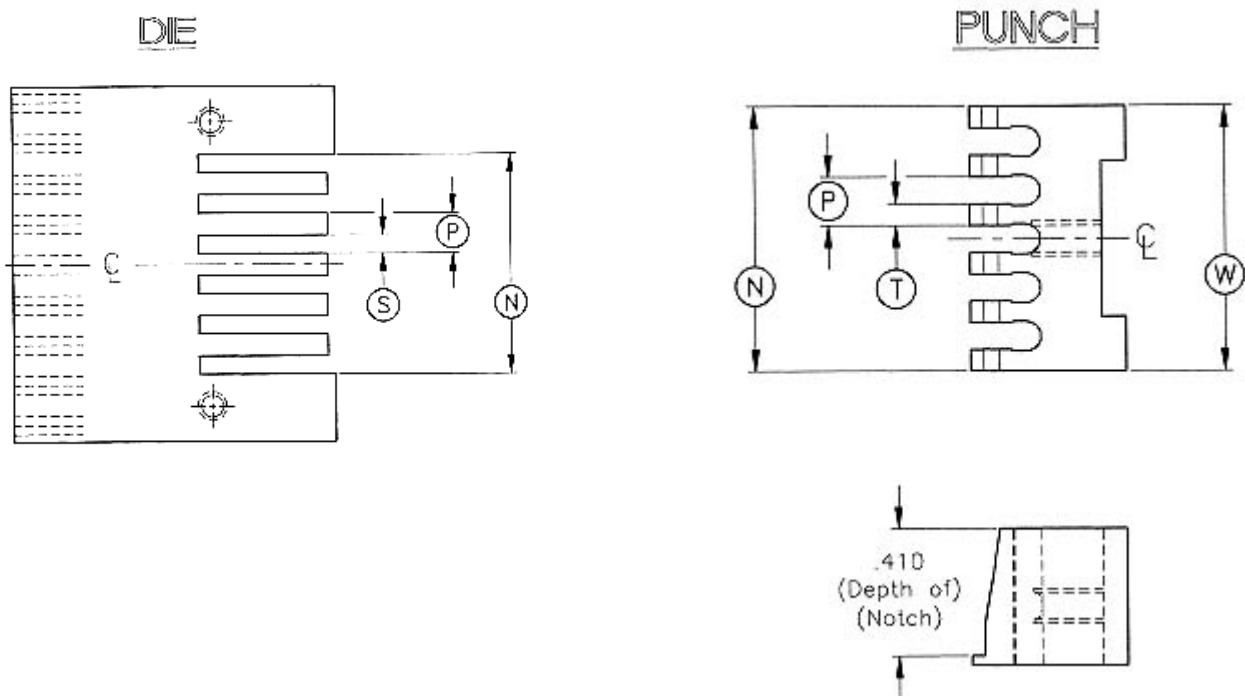


Model 8200 Hand Notcher

Punch & Die Setup



PART NUMBER	CABLE SIZE	PITCH (P)	TOOTH WIDTH (T)	SLOT WIDTH (S)	WIDTH OF PUNCH (W)	NUMBER OF TEETH & SLOTS (N)
8200-3-1A	0.100"	0.100"	0.042"	0.0425"	0.742"	8
8200-3-2A	0.156"	0.156"	0.070"	0.0705"	0.850"	6
8200-3-4A	2.5mm	0.0984"	0.048"	0.0485"	0.737"	8

Note: 8200 Series punch & die fit both the 8200 Hand Notcher and 9200 Pneumatic Notcher.